

The **Exitronix XET-20** Emergency Lighting Control Device allows the use of auxiliary generator or inverter power on switched fixtures in power failure situations. The XET-20 senses the loss of normal AC power and bypasses local control devices such as switches, on/off occupancy sensors, or timers, providing emergency power to the fixtures regardless of the control setting. The XET-20 allows for operation of the load at full light output until normal power is restored or for as long as the generator or inverter supply is available. The XET-20 will work in conjunction with any fixture on the designated 20 Amp circuit per the rated specifications. Allowing for the use of switched fixtures with a generator or inverter supply eliminates the need for night lights and promotes increased energy savings. Dimming relay model available to accommodate dual-zone dimming (Ref XET-20-DR spec).

TECHNICAL SPECIFICATIONS

- Input Voltage: 120/277V, 50/60Hz
- Maximum Load Ratings: 8A @120VAC, 50/60Hz per NEMA 410
- LED driver: 8A @277VAC, 50/60Hz per NEMA 410
- Ballast: 20A @ 120/277VAC, 50/60Hz
- Incandescent: 10A @ 120VAC, 50/60Hz
- In-rush Current Rating: 221A for 1.25ms @ 120VAC
370A for 1.25ms @ 277VAC
- Emergency Operation: The XET-20 will operate in conjunction with any lighting load as noted in the specifications in the designated 20 Amp circuit for the duration of the auxiliary supply
- Weight: 1.0 lbs
- Operating Temperatures: -20°C to 55° C (-4°F to 131° F)

FEATURES

- Galvanized steel housing
- LED indicators for determining functional readiness and operation modes
- Rated for LED loads of up to 8 Amps continuous as per NEMA 410
- Simplified junction box installation with 10" leads
- Suitable for use in plenum and damp location applications
- Jumper loop for connection to alarm, security panel, or other remote trigger device
- Dual-Zone dimmer bypass model also available (Reference XET-20-DR specification sheet)

Model: _____ Date: _____
 Accessories: _____
 Job Name: _____ Type: _____



LOADS OPERATED

Allows operation of switched fixtures from the generator or inverter supply

PRODUCT ADVANTAGES

- Allows operation of switched or dimmed fixtures on an auxiliary generator or inverter supply
- Promotes energy savings by eliminating the need for multiple always-on fixtures
- Full light output

CONFORMANCE TO CODES & STANDARDS

- Meets or exceeds all NEC, IBC, and Life Safety code emergency lighting requirements
- UL and CUL 924 Listed for Damp Locations
- UL 2043 Plenum Rated

WARRANTY

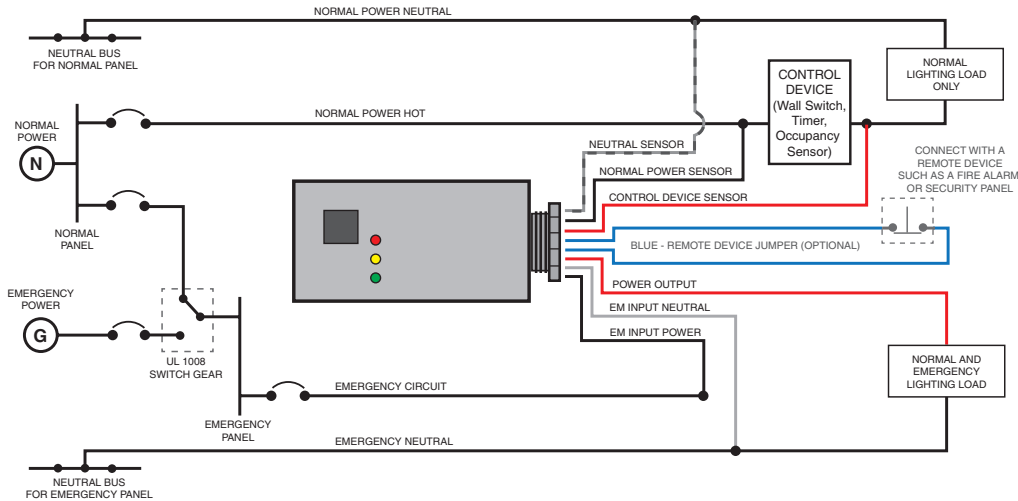
The Exitronix XET-20 is warranted for five years from date of shipment. The warranty does not cover physical damage, abuse or instances of uncontrollable natural forces. See the full Exitronix warranty document for detailed information.

Ordering Information

SKU	Description	UL Part Number
XET-20	Emergency transfer switch, 20 Amps switching current	ETS-20

WIRING DIAGRAM

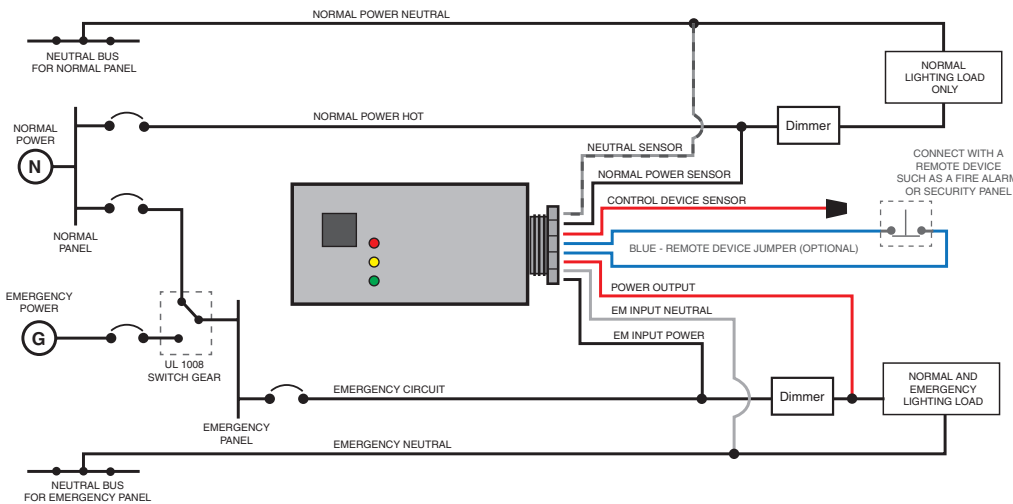
XET-20



Typical Application

During presence of normal power, the XET-20 senses the setting of the 'ON/OFF' control device through the red wire (Control Device Sensor) and operates the Normal/EM mode accordingly. When normal power is lost, the XET-20 allows operation of the Normal/EM load at full output from the auxiliary supply, regardless of control device status.

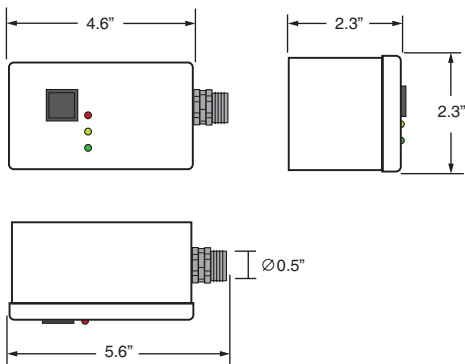
XET-20 with Dimmer Controls



Normal/EM Dimmer Control

The XET-20 can be used with dimming applications by adding a dimming application by adding a second dimmer device to the designated EM circuit. In this scenario, both the EM circuit and XET-20 power output are connected to the load. The red Control Device Sensor of the XET-20 remains disconnected and there is no power output from the XET-20 unless normal AC power is lost. If emergency power is activated, the XET-20 will then route power around the dimmer on the EM circuit.

DIMENSIONS



Specifications are subject to change without notice. Installation must be performed in accordance with Barron Lighting Group installation instructions.

10800309 REV-2 03/18

The **Exitronix** XET-20-DR Emergency Lighting Control Device allows the use of auxiliary generator or inverter power on switched fixtures in power failure situations. The XET-20-DR senses the loss of normal AC power and bypasses local control devices such as switches or dimmers, providing emergency power to the fixtures regardless of the control setting. The XET-20-DR allows for operation of the load at full light output until normal power is restored or for as long as the generator or inverter supply is available. The XET-20-DR will work in conjunction with any fixture on the designated 20 Amp circuit per the rated specifications. Allowing for the use of switched fixtures with a generator or inverter supply eliminates the need for night lights and promotes increased energy savings. The dimming relay leads accommodate two 0-10 Volt dimming zone controls, providing full light output in both zones during emergency mode regardless of dimmer setting.

TECHNICAL SPECIFICATIONS

- Input Voltage: 120/277VAC, 50/60Hz
- Maximum Load Ratings
- LED driver: 8A @120VAC, 50/60Hz per NEMA 410
8A @277VAC, 50/60Hz per NEMA 410
- Ballast: 20A @ 120/277VAC, 50/60Hz
- Incandescent: 10A @ 120VAC, 50/60Hz
- In-rush Current Rating: 221A for 1.25ms @120VAC
370A for 12.5ms @ 277VAC
- Emergency Operation: The XET-20-DR will operate in conjunction with any lighting load as noted in the specifications in the designated 20 Amp circuit for the duration of the auxiliary supply
- Contact Rating: 1A @30VDC
1A @ 277VAC
- Weight: 1.0 lbs
- Operating Temperatures: -20°C to 55°C (-4°F to 131° F)

FEATURES

- Galvanized steel housing
- LED indicators for determining functional readiness and operation modes.
- Rated for LED loads of up to 8 Amps power as per NEMA 410 standards
- Accommodates dual zone 0-10V dimming
- Simplified junction box installation with 10" leads
- Suitable for use in plenum and damp location applications
- Jumper loop for connection to alarm, security panel, or other remote trigger device

Model: _____ Date: _____
 Accessories: _____
 Job Name: _____ Type: _____



LOADS OPERATED

Allows operation of switched fixtures in dual dimming zones from the generator or inverter supply

PRODUCT ADVANTAGES

- Allows operation of switched or dimmed fixtures on an auxiliary generator or inverter supply
- Promotes energy savings by eliminating the need for multiple always-on fixtures
- Full light output
- Dimming relay leads allows for dual zone dimming controls

CONFORMANCE TO CODES & STANDARDS

- Meets or exceeds all NEC, IBC, and Life Safety code emergency lighting requirements
- UL and CUL 924 Listed for Damp Locations
- UL 2043 Plenum Rated

WARRANTY

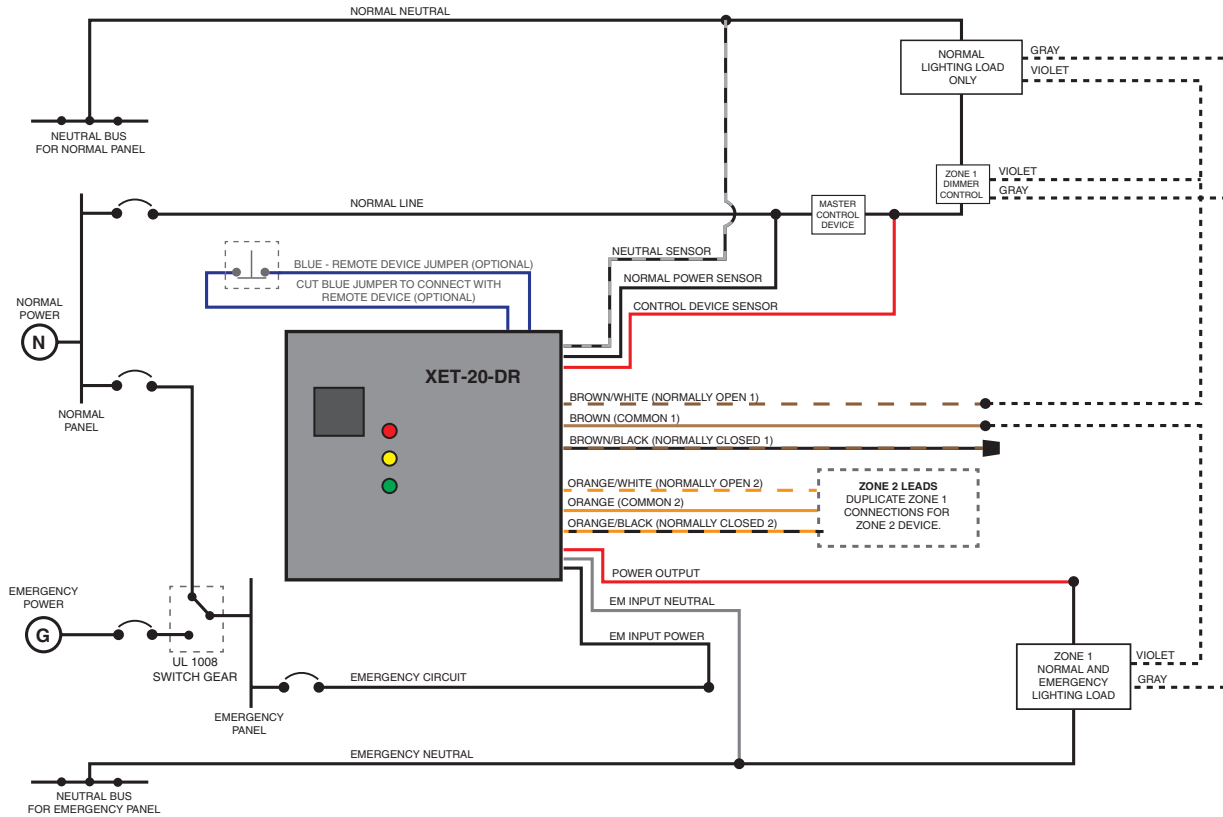
The **Exitronix** XET-20-DR is warranted for five years from date of shipment. The warranty does not cover physical damage, abuse or instances of uncontrollable natural forces. See the full Exitronix warranty document for detailed information.

Ordering Information

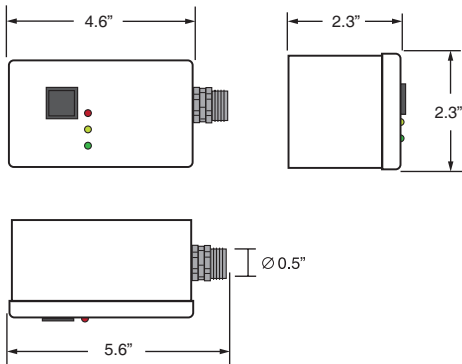
SKU	Description	UL Part Number
XET-20-DR	Emergency transfer switch with dimming relay, 20 Amps switching current	ETS-20-DR

WIRING DIAGRAM

The XET-20-DR provides two sets of dimming relays for use with dual zone dimming (such as an auditorium that would demand full brightness on a platform and a dimmed zone over the audience). The XET-20-DR allows for two-wire dimming of zones that would be comprised of both normal and EM fixtures. In the event of a power loss, any dimmed emergency fixtures in either zone will switch to the emergency supply and come on at full brightness.



DIMENSIONS



Specifications are subject to change without notice.
Installation must be performed in accordance with
Barron Lighting Group installation instructions.

10800307 REV-2 03/18

The **Exitronix** XET-3 Emergency Lighting Control Device allows local switch control of designated emergency luminaires when emergency power is provided by a generator or inverter. The XET-3 senses the loss of normal AC power and bypasses the local switch device allowing emergency power directly to the fixture regardless of switch position. The XET-3 is rated for any lamp load up to 3 Amps continuous power including LED loads per NEMA 410 standards. The XET-3 is an ideal solution for achieving increased energy savings in accordance with most energy efficiency standards by eliminating the need to operate the designated emergency fixtures 24/7 when emergency power is sourced from a generator or inverter. Dimming ballasts require one XET-3 for each hot lead.

Model: _____ Date: _____
 Accessories: _____
 Job Name: _____ Type: _____



TECHNICAL SPECIFICATIONS

Input Voltage: 120/277VAC, 60Hz
 Input Current: 250mA
 Maximum Switching Voltage: 3 Amps @ 120/277VAC
 Circuit Protection: 3A on Control Input
 3A on Neutral and 120/277VAC Outputs
 In-rush Current Rating: 144A for .89ms @ 120VAC
 258A for .98ms @ 277VAC
 Emergency Operation: The XET-3 allows operation of any lamp type in the designated fixture for the duration of the auxiliary supply
 Initial Illumination: The XET-3 allows operation of the designated load at full light output
 Weight: 1.0 lbs
 Operating Temperatures: 0°C to 50°C (32°F to 122°F)



FEATURES

- Galvanized steel housing
- Optional 24" flex conduit available (XET-3-FC)
- Rated for LED loads up to 3 Amps continuous as per NEMA 410
- Dual Voltage 120/277VAC, 60Hz
- Rated for use in plenum and damp location applications

LOADS OPERATED

Allows full light output operation of any LED, fluorescent, or incandescent switched fixture from the generator or inverter supply up to 3 Amps continuous.

PRODUCT ADVANTAGES

- Regain local switch control of your designated emergency fixtures powered from a generator or inverter
- Promotes energy savings by eliminating the need for always-on fixtures
- Full light output

CONFORMANCE TO CODES & STANDARDS

- Meets or exceeds all NEC, IBC, and life safety code emergency lighting requirements
- UL 924 Listed for Damp Locations

WARRANTY

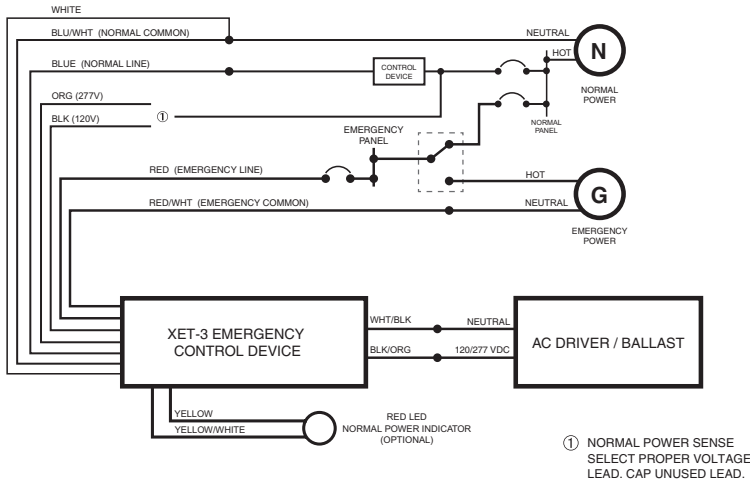
The Exitronix XET-3 is warranted for five years from date of shipment. The warranty does not cover physical damage, abuse or instances of uncontrollable natural forces. See the full Exitronix warranty document for detailed information.

Ordering Information

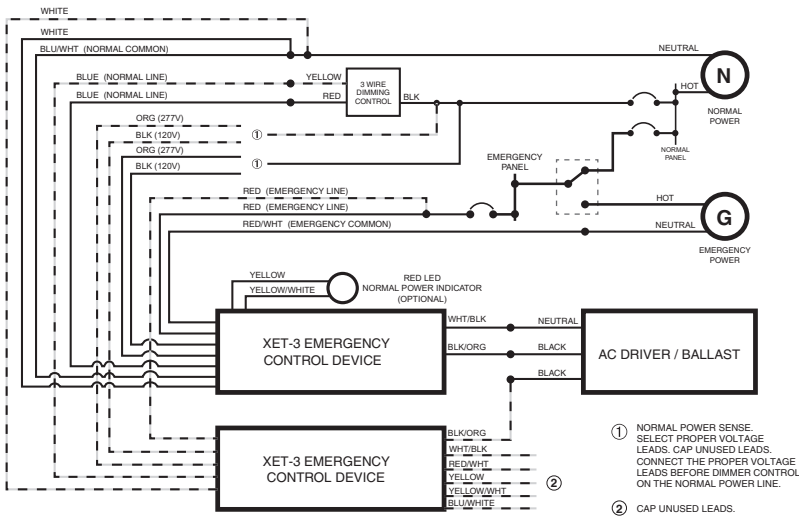
SKU	Description	UL Part Number
XET-3	Emergency transfer switch, 3 Amps switching current	ETS
XET-3-FC	Emergency transfer switch with 24" flex conduit, 3 Amps switching current	ETS-R

WIRING DIAGRAM

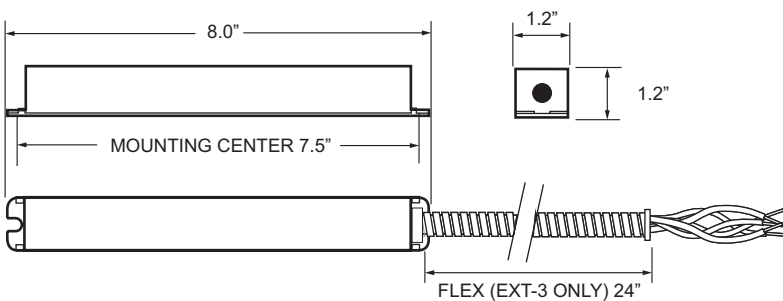
TYPICAL BALLAST/GENERATOR APPLICATION



TYPICAL DIMMING BALLAST/GENERATOR APPLICATION



DIMENSIONS



Specifications are subject to change without notice.
Installation must be performed in accordance with
Barron Lighting Group installation instructions.

10800308 REV-2 03/18