

DESCRIPTION

The AXL Series is a group of architectural LED flood/area luminaires designed to illuminate parking areas, pathways, building facades, loading docks, and a wide variety of other large, general site lighting applications. Yoke and knuckle mount options make the AXL-50 a versatile luminaire for general outdoor flood/area lighting requirements. The AXL is the ideal choice with efficacies up to 126 LPW to maximize energy savings and utility rebates.

SPECIFICATIONS

Construction:

- Die-cast aluminum housing with durable, dark bronze powder coat finish
- Wireway enclosure is sealed with a water-tight, silicon rubber gasket

Optics/ LEDs:

- UV stabilized polycarbonate lens delivers wide symmetrical (NEMA 7H x 7V) distribution
- Available in 3000K (warm white), 4000K (neutral white) and 5000K (cool white)
- Long-Life LEDs provide 69,000 hours of operation with at least 70% of initial lumen output (L70)
- Color rendering index > 80

Electrical:

- Universal 120-277VAC, 50/60Hz
- Power factor > 0.90
- Total harmonic distortion < 20%

Installation:

- Easy installation in new construction or retrofit applications
- Yoke-mount provides secure attachment to flat surfaces
- Aluminum die-cast knuckle-mount includes 1/2" NPS stem with locking unit for installation on a junction box

Testing & Compliance:

- UL Listed for Wet Locations
- DesignLights Consortium® (DLC) Qualified (See QPL for listed models)
- Operating temperatures: -30°C to 40°C (-22°F to 104°F)
- IP65 rated
- Complies with EN6100-4-5 surge immunity (1kVA)

Effective projected areas (EPAs) are:

- Front = 0.13 square feet
- Side = 0.09 square feet
- Face = 0.43 square feet

Warranty:

- Five (5) year warranty (terms and conditions apply)

Note: Environment and application will affect actual performance. Typical values and 25°C used for testing. Specifications subject to change without notice.

Model: _____ Date: _____
 Accessories: _____
 Job Name: _____ Type: _____

Available While Supplies Last



Specs At A Glance*			
Wattage (W)	50		
CCT (K)	3000K	4000K	5000K
Distribution	Wide (NEMA 7H x 7V)		
Lumens (lm)	5,882	6,031	6,179
Equivalency	200W HID		
Efficacy (LPW)	119	122	126
CRI	> 80		
Input Voltage	120 - 277VAC, 50/60Hz		
Operating Temp	-30°C to 40°C (-22°F to 104°F)		
Certifications	UL Listed for Wet Locations, IP65, DLC		
Warranty	5 Years		
Weight	3.9 lbs.		

*Nominal Wattage

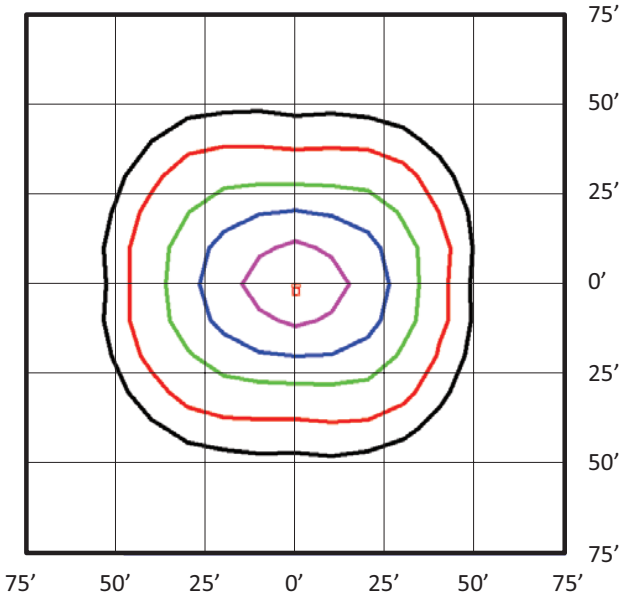
Ordering Information (Example: AXL-50-3K-Y)

Series	Color Temperature (CCT)	Mount
AXL-50	3K = 3000 Kelvin	K = Knuckle
	4K = 4000 Kelvin	Y = Yoke
	5K = 5000 Kelvin	

Sample Photometry

(Example: AXL-50-5K-K)

BUG Rating: B2-U1-G1



Zone	Lumens	Percentage
FL = Front - Low (0-30)	800	13%
FM = Front - Medium (30-60)	1,684	27%
FH = Front - High (60-80)	518	8%
FVH = Front - Very High (80-90)	61	1%
Total Forward Light	3,063	50%

Zone	Lumens	Percentage
BL = Back - Low (0-30)	808	13%
BM = Back - Medium (30-60)	1,691	27%
BH = Back - High (60-80)	538	9%
BVH = Back - Very High (80-90)	67	1%
Total Back Light	3,104	50%

Zone	Lumens	Percentage
UL = Up Light - Low (90-100)	3	0%
UH = Up Light - High (100-180)	9	0%
Total Up Light	12	0%

Total Lumens 6,179 100%

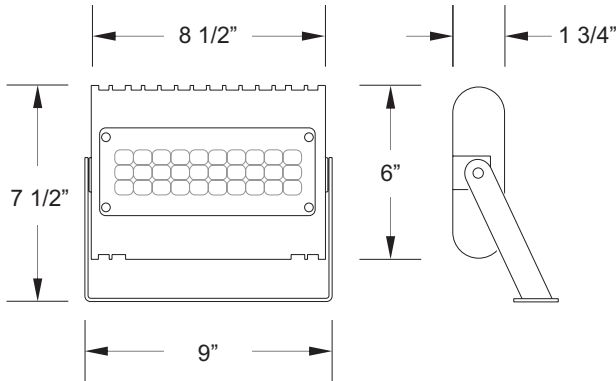
Foot Candles

- 5.0
- 2.0
- 1.0
- 0.5
- 0.2
- 0.1

Notes

- ¹ Isofootcandle plots depict initial footcandles at grade.
- ² Gridlines represent units of mounting height of 25 feet.

Dimensions



Weight: 3.9 lbs.

Specifications are subject to change without notice. Installation must be performed in accordance with Barron Lighting Group installation instructions.

10810337 Rev 3 11/18