

**DESCRIPTION**

3.5" downlights for insulated ceiling applications both new construction and remodel. Dedicated housing for 3.5" LED trims/modules.

**SPECIFICATIONS**

**Construction:**

- Galvanized steel construction
- Contains one 1 1/8", six 7/8" knockouts and four romex pryouts with stain relief
- Housing on new construction model can be removed from frame to provide access to the junction box

**Optics/ LEDs:**

- Lumen output dependent upon LED trim/module used

**Electrical:**

- 2-pin snap-on connector for easy connection to LED trims/modules

**Installation:**

- Bar hangers on new construction model are adjustable from 13 5/8" to 25" and can be repositioned 90° on plaster frame
- Four clips on remodel cans secure housing to 1/2" and 5/8" ceilings
- Pre-installed nails on new construction housings easily install in regular and engineered lumber joists

**Testing & Compliance:**

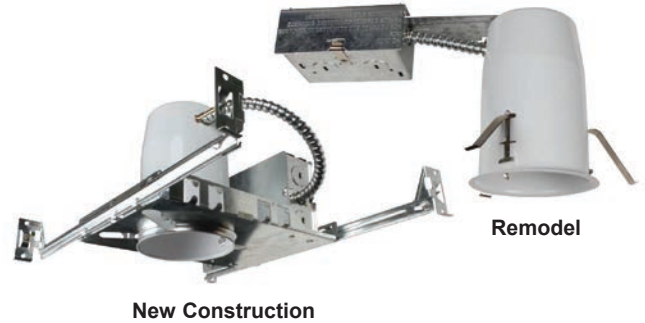
- Certified under ASTM-E283 for air tight construction
- cULus Listed for Damp Locations
- Meets state of California Title 24 requirement

**Warranty:**

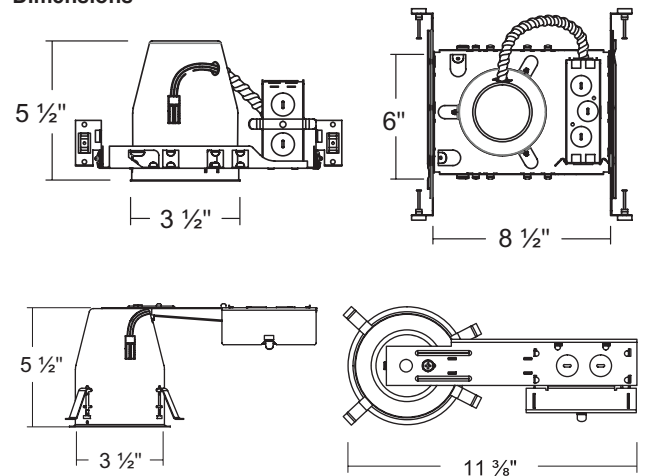
- 5 year warranty (terms and conditions apply)

**Note:** Environment and application will affect actual performance. Typical values and 25°C used for testing. Specifications subject to change without notice.

Model: \_\_\_\_\_ Date: \_\_\_\_\_  
Accessories: \_\_\_\_\_  
Job Name: \_\_\_\_\_ Type: \_\_\_\_\_



**Dimensions**



**Ordering Information**

SKUs	Description
BL350ICATLEDNND-QN	3 1/2" IC LED housing for new construction applications
BL350ICATLEDRND-QN	3 1/2" IC LED housing for remodel applications