

**DESCRIPTION**

4" Dedicated IC housing is available for New Construction and Remodel applications and suitable for direct contact with insulation. Air-Tight construction reduces energy costs by reducing the amount of air leakage through the ceiling.

**NEW CONSTRUCTION SPECIFICATIONS**

**Construction:**

- Galvanized steel construction with removable housing for easy access to the junction box
- Pre-installed nails in bar hangers easily install in regular and engineered lumber joists
- Adjustable bar hangers from 13 $\frac{1}{8}$ " – 25" can be repositioned 90° on plaster frame

**REMODEL SPECIFICATIONS**

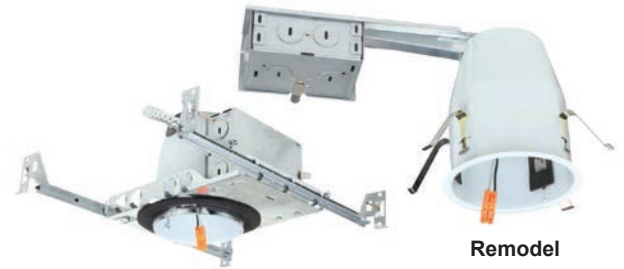
**Construction:**

- Installs into existing drywall or wood ceilings with no access from above
- Four remodel clips secure housing and accommodates  $\frac{1}{2}$ " to  $\frac{5}{8}$ " ceiling thickness

**FEATURES:**

- Contains one (1) 1 $\frac{1}{8}$ ", six (6)  $\frac{7}{8}$ " and four (4) romex pry-outs with strain relief
- UL listed for Damp Locations
- UL listed for feed-through/through-branch circuit wiring
- Certified under ASTM-E283 for air-tight construction
- Energy star qualified
- Meets the state of California Title 24 Requirements
- Features quick-connect adapter

Model: \_\_\_\_\_ Date: \_\_\_\_\_  
Accessories: \_\_\_\_\_  
Job Name: \_\_\_\_\_ Type: \_\_\_\_\_



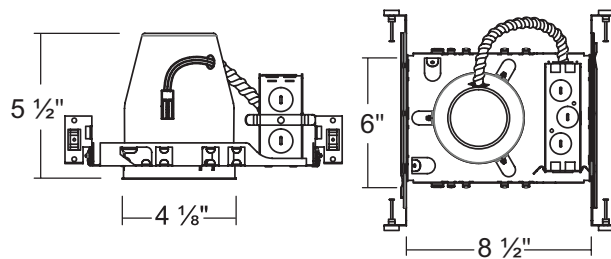
**New Construction**

**Remodel**

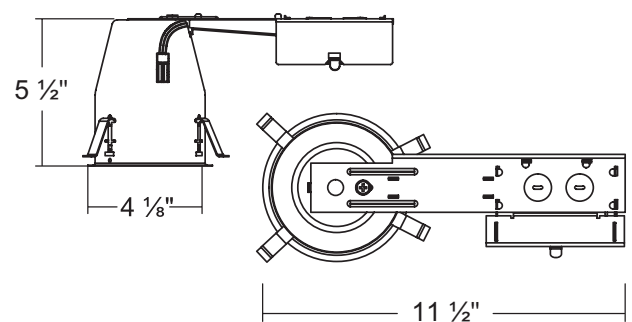


**Dimensions**

New Construction



Remodel



**Ordering Information**

SKUs	Description
BL4ICLED-NND	4" IC LED Recessed housing for new construction
BL4ICLED-RND	4" IC LED Recessed housing for remodel applications

Specifications are subject to change without notice.  
Installation must be performed in accordance with  
Barron Lighting Group installation instructions.