

DESCRIPTION

7" diameter surface dome light solution with integrated LED power supply and thermal management system designed to fit most standard 3", 4", 5" and 6" recessed cans. Also works in 4" junction box.

SPECIFICATIONS

Construction:

- Surface mount dome used with 3", 4", 5" and 6" housings
- Durable thermoplastic construction
- E26 medium screw-base Edison connector provides easy retrofit of incandescent housings

Optics/ LEDs:

- Long life LEDs with up to 50,000 hours at 70% lumen maintenance
- Choice of 2700K (±145) or 3500K (±245) color temperature with 80 CRI
- 1200 Lumens
- Uses high power, high quality LEDs

Electrical:

- LED driver dimmable down to 10% with most dimmers (Lutron Maestro C-L/MACL-153MR, Lutron Skylark C-L/SCL-153P, Leviton Sureslide/Cat. No.6674, Lutron/PD-6WCL, Legrand Harmony/HCL453PTCCCV6)
- Save 75% compared to incandescent sources
- 120V, 50/60Hz
- Power factor ≥ .90
- 14w input power
- Operation temperature of -20°C-40°C (-4°F-104°F)

Installation:

- Easy installation in 3" to 6" recessed cans
- Compatible with insulated, non-insulated and air-tight ceilings
- Cut-off and strip, for 4" junction box mounting, using mounting bracket

Testing & Compliance:

- Tested in accordance with IESNA LM79 & LM80
- ETL Listed for Wet Locations (US and Canada)
- Energy Star qualified
- Passes FCC Class B
- Meets state of California Title 24 requirements

Warranty:

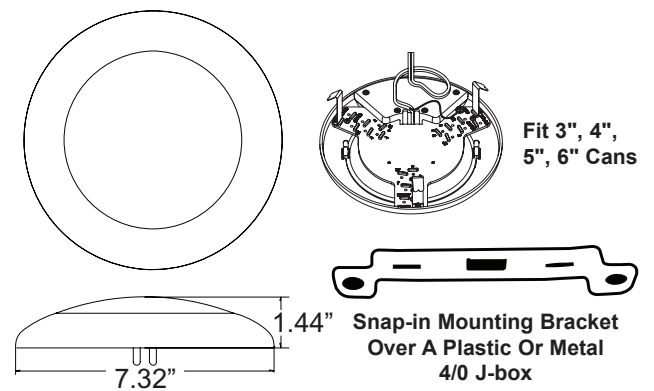
- 5 year warranty (terms and conditions apply)

Note: Environment and application will affect actual performance. Typical values and 25°C used for testing. Specifications subject to change without notice.

Model: _____ Date: _____
 Accessories: _____
 Job Name: _____ Type: _____



Dimensions



Ordering Information

SKUs	Description
BRK-LED36-DL-27K	3"- 6" LED Dome Light/Trim, 2700K CCT
BRK-LED36-DL-35K	3"- 6" LED Dome Light/Trim, 3500K CCT