

**DESCRIPTION**

Trace-Lite's LP14 offers incredible performance in an energy-efficient, slim profile package. It is ideal for office spaces, schools, hospitals and any indoor location that requires even illumination and lower maintenance. It is compatible with most standard T-bar grid ceilings, includes 0-10V dimming standard, and can also provide path of egress emergency lighting (LBD).

**SPECIFICATIONS**

**Construction:**

- Precision die-formed aluminum housing
- Recessed design fits most standard T-bar grid ceilings
- White polyester powder coat finish
- Diffused lens
- Suitable for Damp Locations

**Optics/ LEDs:**

- L70 at 56,000hrs

**Electrical:**

- High-performance isolated driver features overvoltage, overcurrent and short-circuit (with auto-recovery) protection. Class A sound rating, 0-10V dimming included standard (10% - 100%)
- 120-277VAC, 50/60Hz
- >0.9 power factor
- Total harmonic distortion: <20%

**Installation:**

- Unit simply lifts through grid ceiling and rests on T-bars
- Easy installation in new construction or retrofit
- Standard mounting includes recessed mounting in grid ceilings
- Earthquake clips included

**Accessories:**

- Optional surface mounting kit is available (LP14-SMK)
- Optional flange mounting kit for recessed drywall applications (LP14-FMK)
- Field installable battery packs available for emergency egress lighting (LBD)

**Testing & Compliance:**

- ETL Listed for Damp Locations and insulated ceilings (IC Rated)
- DesignLights Consortium® (DLC) Qualified
- Operating Temperatures: -25°C to 45°C (-13°F to 113°F)

**Warranty:**

- Five Year Warranty (Terms and Conditions Apply)

Model: \_\_\_\_\_ Date: \_\_\_\_\_  
Accessories: \_\_\_\_\_  
Job Name: \_\_\_\_\_ Type: \_\_\_\_\_

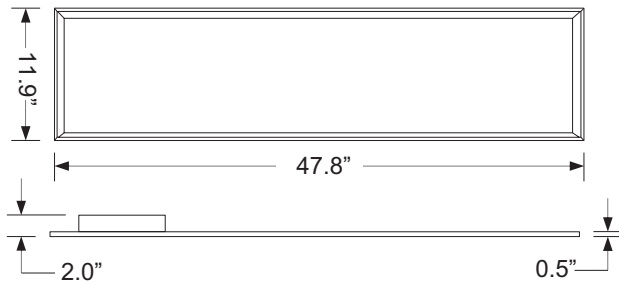


Specs at a Glance				
<b>Wattage (W)</b>	40			
<b>CCT</b>	3000K	3500K	4000K	5000K
<b>Lumens (lm)</b>	4070	4149	4149	4600
<b>Efficacy (LPW)</b>	102	104	104	115
<b>CRI</b>	>80			
<b>Input Voltage</b>	120-277VAC, 50/60Hz			
<b>Warranty</b>	5 Years			
<b>Certifications</b>	ETL Listed, IC Rated, Suitable for Damp Locations, DLC			
<b>Ambient Temp</b>	-25°C to 45°C (-13°F to 113°F)			
<b>Weight</b>	9 lbs			

**Ordering Information** (Example: LP14-40-5K)

Series	Fixture Watts	Color Temperature (CCT)	Options (Factory Installed)
LP14 <sup>1</sup> = 1' x 4' Ultra-thin LED Panel	40 = 40 Watts	3K = 3000 Kelvin 35K = 3500 Kelvin 4K = 4000 Kelvin 5K = 5000 Kelvin	MC6 <sup>2</sup> = 6' Line Cord (Metal Corrugated Sleeving)
			<b>Accessories<sup>5</sup> (Field Installed)</b>
			LBD-5-NC-CW-C <sup>3,4</sup> = 5 Watt Battery Pack for Emergency Egress
			LBD-7-NC-CW-C <sup>3,4</sup> = 7 Watt Battery Pack for Emergency Egress
			LBD-10-NC-CW-C <sup>3,4</sup> = 10 Watt Battery Pack for Emergency Egress
			LBD-13-NC-CW-C <sup>3,4</sup> = 13 Watt Battery Pack for Emergency Egress
			LBD-17-NC-CW-C <sup>3,4</sup> = 17 Watt Battery Pack for Emergency Egress
			LP14-FMK = Flange Mount Kit
			LP14-SMK = Surface Mount Kit
<b>Notes</b>			
<sup>1</sup> Sold two (2) units per pack			
<sup>2</sup> Option not currently UL Listed			
<sup>3</sup> See back page for battery pack lumen output			
<sup>4</sup> Not compatible with LP14-SMK			
<sup>5</sup> Order as separate line item			

## Dimensions



Fixture Watts	Weight
40 = 40 Watts	9 lbs

## Sample Photometry

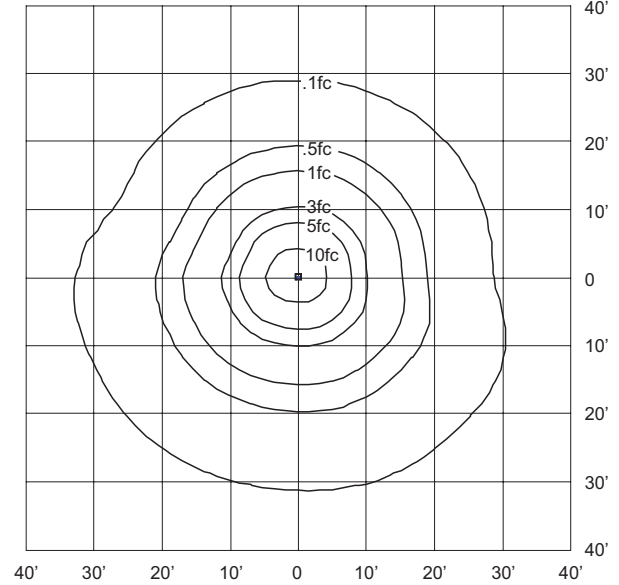
### LP14-40-3K

IES: TYPE II Very Short

MOUNTING HEIGHT: 10'

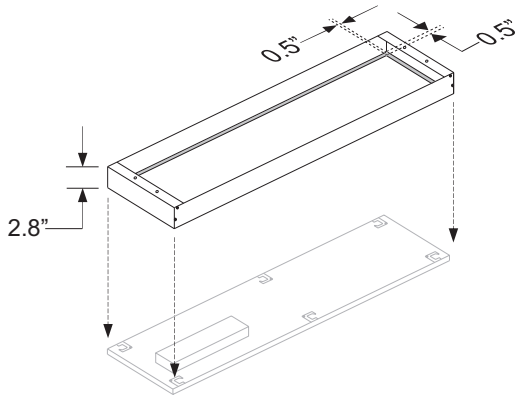
TILT: ZERO

HORIZONTAL SPACING CRITERIA: 1.24



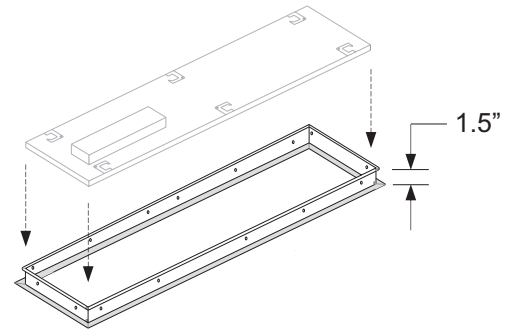
## Surface Mount Kit

Optional surface mounting kit (LP14-SMK) allows for installation on plaster or other hard ceilings.



## Flange Mount Kit

Optional flange kit (LP14-FMK) mounts above the drywall ceiling and allows the panel to be mounted flush to the ceiling.



## Lumen Output Summary for LBD Battery Pack Accessories

LP Panel Battery Packs:			LBD-5-NC-CW-C	LBD-7-NC-CW-C	LBD-10-NC-CW-C	LBD-13-NC-CW-C	LBD-17-NC-CW-C
Model	Lumens	Wattage	Battery Back Up Lumens				
LP14-40-3K	4070	40	444	621	887	1154	1509
LP14-40-35K	4149	40	452	633	905	1176	1538
LP14-40-4K	4149	40	452	633	905	1176	1538
LP14-40-5K	4600	40	500	700	1001	1301	1701

Specifications are subject to change without notice.  
Installation must be performed in accordance with  
Barron Lighting Group installation instructions.

10810327 Rev 12 10/18