

**DESCRIPTION**

The LPC1 is Trace\*lite's ultra slim profile canopy for use in compact spaces or lower mounting heights. This 8" canopy was designed with 120V driver on board LED light engine technology. The specially designed polymethyl methacrylate (PMMA) UV stabilized lens optimizes visual comfort without sacrificing lighting efficacy. Attention to tasks at hand at schools, libraries, pharmacy drive thru lanes and truck stop sites are enhanced by optimizing the quality of light within the environment. The durable and robust design allows for universal surface or pendant mounting. Delivering 1,905 lumens while consuming only 20 watts, it's the ideal low profile and power canopy light.

**SPECIFICATIONS**

**Construction:**

- 8" square canopy with precision die-formed aluminum housing
- Slim 1.2" profile
- Integral thermal management achieved with a 1/8" enclosure with vents
- White polyester powder coat finish
- Suitable for wet locations

**Optics/ LEDs:**

- Low Glare optics provide Type V round distribution
- UV stabilized PMMA lens
- L70 at 50,000hrs

**Electrical:**

- Driver on board technology, non dimming
- 120VAC only
- >0.9 power factor

**Installation:**

- Base plate easily attaches to a 3" or 4" J-box
- Fixture housing is attached to base plate by four (4) captive fasteners
- Surface mounted to recessed J-Box

**Accessories:**

- 12.5" square transition plate (MC-TR), for retrofitting 12" square canopies
- 16" square transition plate (MC-TR16), for larger retrofit areas

**Testing & Compliance:**

- ETL listed to UL1598 for wet locations covered canopy
- DesignLights Consortium® (DLC) qualified
- Operating Temperatures: -40°C to 40°C (-40°F to 104°F)
- RoHS compliant

**Warranty:**

- 5 Year Warranty (Terms and Conditions Apply)

Model: \_\_\_\_\_ Date: \_\_\_\_\_  
 Accessories: \_\_\_\_\_  
 Job Name: \_\_\_\_\_ Type: \_\_\_\_\_



Specs at a Glance	
<b>Wattage (w)</b>	20
<b>Lumens (lm)</b>	1,905
<b>Efficacy (LPW)</b>	94
<b>Equivalency</b>	70-100w MH
<b>CCT</b>	4000K
<b>CRI</b>	73
<b>Optics</b>	Type V (Low-Glare)
<b>Input Voltage</b>	120VAC
<b>Warranty</b>	5 Years
<b>Certifications</b>	ETL Listed for Wet Locations, DLC
<b>Ambient Temp</b>	-40°C to 40°C (-40°F to 104°F)

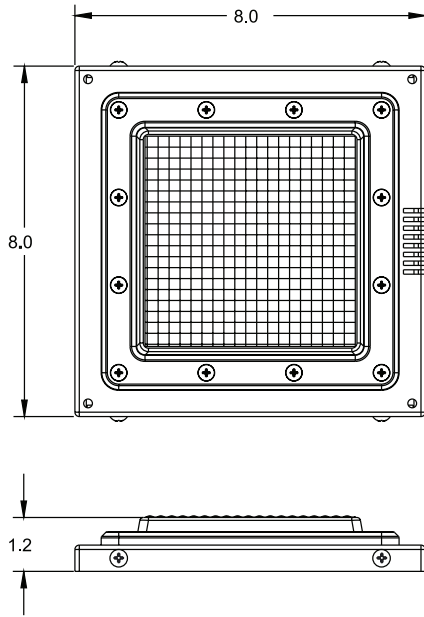
**Ordering Information**

Model	Description	Stock	Accessories <sup>1</sup> (Field Installed)
LPC1-LG-V1-4K	Low-glare, 120VAC, 4000K CCT	✓	MC-TR = 12.5" Transition Plate MC-TR16 = 16" Transition Plate

Notes

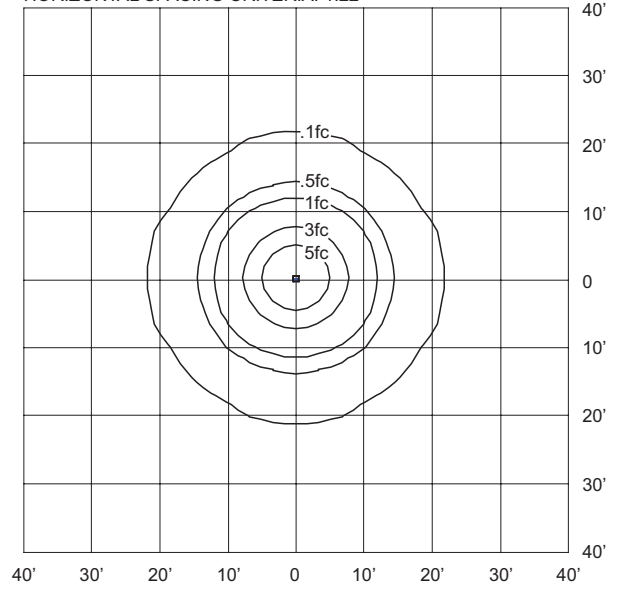
<sup>1</sup> Order as separate line item. Shipped in separate box for final installation in field.

**Dimensions**

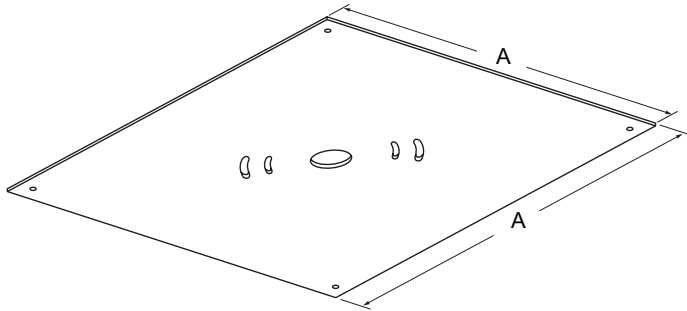


**Sample Photometry**

**LPC1-LG-V1-4K**  
 IES: TYPE V VERY SHORT  
 MOUNTING HEIGHT: 10 FEET  
 TILT: ZERO  
 HORIZONTAL SPACING CRITERIA: 1.22



**Transition Plate Details**



Accessory	A
MC-TR	12.5"
MC-TR16	16"

Specifications are subject to change without notice.  
 Installation must be performed in accordance with  
 Barron Lighting Group installation instructions.

10810324 05/17