

DESCRIPTION

TRACE*LITE's latest generation of large glass refractor LED wallpack features an updated LED light engine that improves efficacy, lumen output and thermal management while still maintaining the consistency of our proven traditional housing. The RGL housing is constructed of die-cast aluminum in a dark bronze finish that provides durable protection against environmental conditions, corrosion and the elements. It is UL Listed for Wet Locations. RGL's light engine is protected by a high-impact borosilicate glass prismatic lens that maximizes light output for general purpose area and security lighting. Optional battery backup option available. This versatile luminaire is ideal to match existing or retrofit HID legacy designs.

SPECIFICATIONS

Construction:

- Precision die-cast aluminum housing with UV resistant, thermoset polyester powder coat with a dark bronze finish
- Stainless steel hardware
- Prismatic borosilicate glass refractor
- Hinged housing design for ease of installation and maintenance
- 1/2" knockout on both sides and top of unit

Optics/ LEDs:

- 100w COB LED light engine delivers up to 11,642 lumens
- 4000K or 5000K CCT
- CRI ≥ 71

Electrical:

- Class 2 power supply, voltage sensing 120~277VAC, 50/60Hz
- Standard 0-10VDC dimming driver
- 10kVA surge protection
- L70 rated for 52,000 hours at 40°C

Options:

- Battery backup offers 90 minutes of runtime for path of egress. Rated for ambient temperatures between 0°C to 40°C (32°F to 104°F)

Installation:

- Ideal for mounting to any vertical surface and attaches to a 3" or 4" j-box
- Can be surface mounted using the 1/2" conduit entry point on both sides of the housing

Accessories:

- Field installed button type photocontrol, 120VAC or 277VAC (PC1/PC2)
- Field Installed PIR sensor, 120VAC or 277VAC (TL-MS-120/TL-MS-277)

Testing & Compliance:

- UL/cUL listed for wet locations
- DesignLights Consortium® (DLC) qualified (see QPL for listed models)
- Operating temperature: -20°C to 40°C (-4°F to 104°F)

Warranty:

- 5 year warranty (terms and conditions apply)

Note: Environment and application will affect actual performance. Typical values and 25°C used for testing. Specifications subject to change without notice.

Ordering Information

| Model ¹ | Description |
|--------------------|---|
| RGL-100-VS-4K | LED Wallpack, Large glass refractor, 100w, 120-277VAC, 4000K CCT, Bronze finish |
| RGL-100-VS-4K-BB | LED Wallpack, Large glass refractor, 100w, 120-277VAC, 4000K CCT, Bronze finish, Battery Backup |
| RGL-100-VS-5K | LED Wallpack, Large glass refractor, 100w, 120-277VAC, 5000K CCT, Bronze finish |
| RGL-100-VS-5K-BB | LED Wallpack, Large glass refractor, 100w, 120-277VAC, 5000K CCT, Bronze finish, Battery Backup |

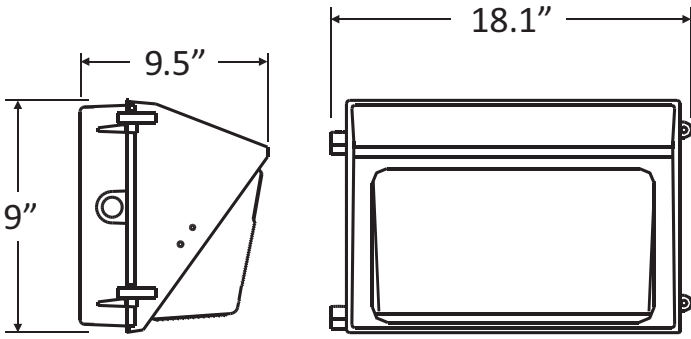
| Notes | Accessories ² (Field Installed) |
|--|--|
| ¹ Meets 90 minutes runtime for path of egress. | PC1 = 120VAC Photocontrol |
| ² Order as separate line item. Shipped in separate box for final installation in field. | PC2 = 208-277VAC Photocontrol |
| | TL-MS-120 = Outdoor PIR sensor, 120VAC, 60Hz |
| | TL-MS-277 = Outdoor PIR sensor, 277VAC, 60Hz |

Model: _____ Date: _____
 Accessories: _____
 Job Name: _____ Type: _____



| Specs At A Glance | |
|-------------------|--------------------------------------|
| Wattage (w) | 100 |
| Lumens (lm) | 11,642 (5000K) |
| Efficacy (lm/w) | 124 (5000K) |
| Equivalency | 400w HID |
| CCT (K) | 4000K, 5000K |
| CRI | ≥ 71 |
| Input Voltage | 120 - 277VAC, 50/60Hz |
| Ambient Temp | -20°C to 40°C (-4°F to 104°F) |
| Certifications | UL/cUL listed for wet locations, DLC |
| Warranty | 5 Years |

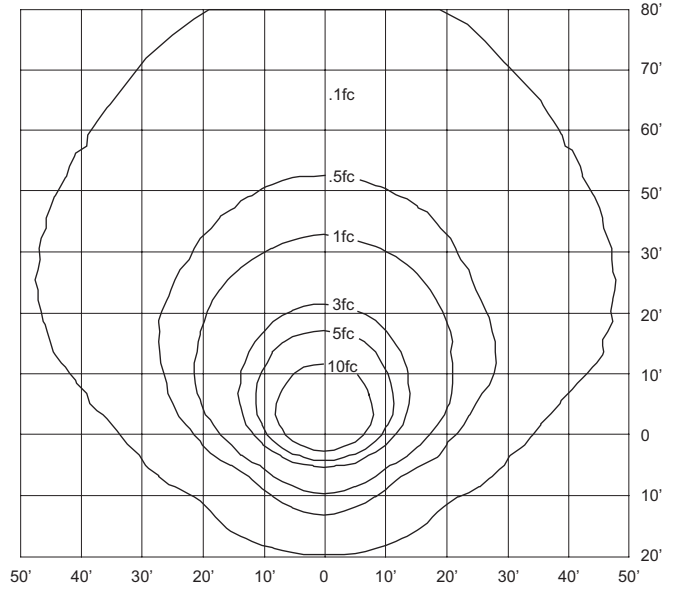
Dimensions



Weight: 19.6 lbs.

Sample Photometry

RGL-100-VS-4K
IES: TYPE IV VERY SHORT
MOUNTING HEIGHT: **10 FEET**
TILT: ZERO
HORIZONTAL SPACING CRITERIA: 2.16



PIR Sensor

(TL-MS-120, TL-MS-277)



Specifications are subject to change without notice.
Installation must be performed in accordance with
Barron Lighting Group installation instructions.