

**DESCRIPTION**

TRACE\*LITE's latest generation – medium glass refractor LED wallpack features an updated LED light engine with greater efficacy, lumen output and thermal management while still maintaining the consistency of our proven traditional housing. The RGM housing is constructed of die-cast aluminum in a dark bronze finish that provides durable protection against environmental conditions, corrosion and the elements. It is UL Listed for Wet Locations. RGM's light engine is protected by a high-impact, prismatic, borosilicate glass lens and offers maximum light output for general purpose area and security lighting. Optional battery backup option available. This versatile luminaire is ideal to match existing or retrofit HID legacy designs.

**SPECIFICATIONS**

**Construction:**

- Precision die-cast aluminum housing with UV resistant, thermoset polyester powder coat with a dark bronze finish
- Stainless steel hardware
- Prismatic borosilicate glass refractor
- Hinged housing design for ease of installation and maintenance
- 1/2" knockout on both sides and top of unit

**Optics/ LEDs:**

- 30w COB LED light engine providing up to 3,468 lumens
- 40w COB LED light engine providing up to 4,780 lumens
- 4000K or 5000K CCT
- CRI ≥ 71

**Electrical:**

- Class 2 power supply, voltage sensing 120-277VAC, 50/60Hz
- Standard 0-10VDC dimming driver
- 10kVA surge protection
- L70 rated for 60,000 hours at 40°C

**Options:**

- Battery backup offers 90 minutes of runtime for path of egress. Rated for ambient temperatures between 0°C to 40°C (32°F to 104°F)

**Installation:**

- Ideal for mounting to any vertical surface and attaches to a 3" or 4" j-box
- Can be surface mounted using the 1/2" conduit entry point on both sides of the housing

**Accessories:**

- Field installed button type photocontrol, 120VAC or 277VAC (PC1/PC2)
- Field Installed PIR sensor, 120VAC or 277VAC (TL-MS-120/TL-MS-277)

**Testing & Compliance:**

- UL/cUL listed for wet locations
- DesignLights Consortium® (DLC) qualified (see QPL for listed models)
- Operating temperature: -20°C to 40°C (-4°F to 104°F)

**Warranty:**

- 5 year warranty (terms and conditions apply)

**Note:** Environment and application will affect actual performance. Typical values and 25°C used for testing. Specifications subject to change without notice.

Model: \_\_\_\_\_ Date: \_\_\_\_\_  
 Accessories: \_\_\_\_\_  
 Job Name: \_\_\_\_\_ Type: \_\_\_\_\_



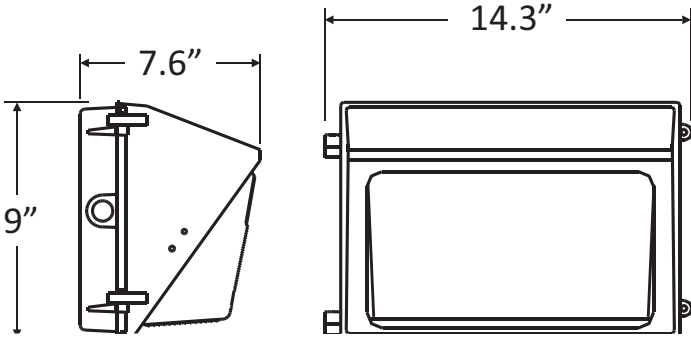
Specs At A Glance		
<b>Wattage (w)</b>	30	40
<b>Lumens (lm)</b>	3,468 (5000K)	4,780 (5000K)
<b>Efficacy (lm/w)</b>	123 (5000K)	120 (5000K)
<b>Equivalency</b>	150w HID	250w HID
<b>CCT (K)</b>	4000K, 5000K	
<b>CRI</b>	≥ 71	
<b>Input Voltage</b>	120 - 277VAC, 50/60Hz	
<b>Ambient Temp</b>	-20°C to 40°C (-4°F to 104°F)	
<b>Certifications</b>	UL/cUL listed for wet locations, DLC	
<b>Warranty</b>	5 Years	

**Ordering Information**

Example: RGM-30-VS-4K

Series	Wattage	Input Voltage	CCT	Finish	Options
RGM = Medium Glass Refractor	30 = 30 Watts	VS = 120~277VAC Voltage Sensing	4K = 4000K	Blank = Bronze	BB <sup>1</sup> = Battery Backup
	40 = 40 Watts		5K = 5000K		
					<b>Accessories<sup>2</sup> (Field Installed)</b>
					PC1 = 120VAC Photocontrol
					PC2 = 208-277VAC Photocontrol
					TL-MS-120 = Outdoor PIR sensor, 120VAC, 60Hz
					TL-MS-277 = Outdoor PIR sensor, 277VAC, 60Hz
<b>Notes</b>					
<sup>1</sup> Meets 90 minutes runtime for path of egress.					
<sup>2</sup> Order as separate line item. Shipped in separate box for final installation in field.					

**Dimensions**



**Weight:** 12.8 lbs.

**Sample Photometry**

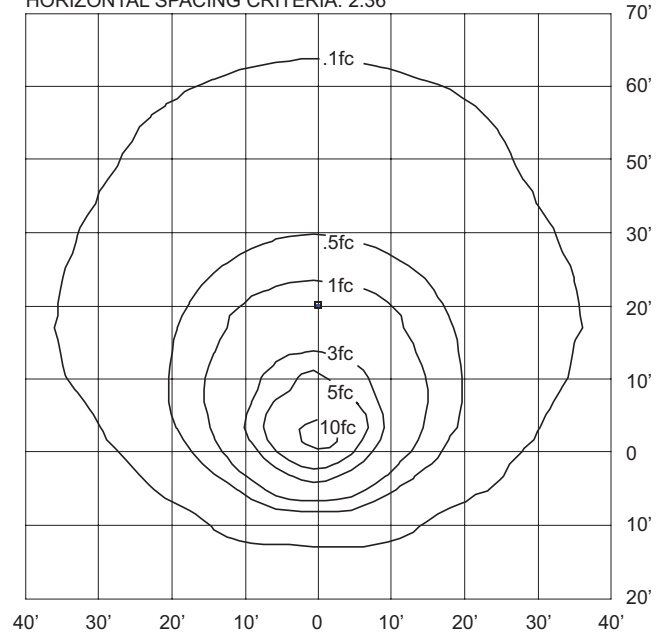
**RGM-40-VS-4K**

IES: TYPE IV VERY SHORT

MOUNTING HEIGHT: **10 FEET**

TILT: ZERO

HORIZONTAL SPACING CRITERIA: 2.36



**PIR Sensor**

(TL-MS-120, TL-MS-277)



Specifications are subject to change without notice.  
Installation must be performed in accordance with  
Barron Lighting Group installation instructions.