

**DESCRIPTION**

The SCP-S is a low-profile 12" surface mount square canopy with a variety of precision engineered optics for application flexibility. This canopy optimizes optical performance and long-life with superior thermal management in an attractive and durable die-formed aluminum enclosure with a premium PMMA lens that does not yellow over time. This product can be easily surface or pendant mounted and is the ideal energy saving solution for applications including, but not limited to, parking garages, schools, office complexes, light commercial development, apartments, walkways, entryways and stairwells.

**CONSTRUCTION**

- Precision die-formed aluminum enclosure and backplate with stainless steel hardware
- White powder coat finish, custom colors available upon request
- IP65 rated light engine compartment
- Single 3/4" side knockout

**OPTICS/LEDS**

- UV-stabilized polymethyl methacrylate (PMMA) optics that will not yellow over time
- Garage optics provides a type V short symmetric square distribution with light focused in the 60° to 80° zones to optimize spacing with even light distribution
- Performance optic provides a type VS (square) very short distribution and offers more light in the 30° to 60° zones, ideal for higher mounting heights over 12'
- Low glare optic provides excellent Type VS (square) short distribution with exceptional glare control
- From 20W to 67W with up to 9016 lumens for maximum project flexibility
- Efficacies up to 134 LPW maximize energy savings and utility rebates
- 4000K CCT and 5000K CCT
- L70 of 190,000 hours
- CRI ≥71

**ELECTRICAL**

- 120-277VAC, 50/60Hz
- 0-10V Dimming driver

**INSTALLATION**

- Fixture enclosure is attached to backplate by four white fasteners
- Backplate easily attaches to a recessed 3" or 4" J-box
- Pendant mounted using standard 1/2" downrod and hardware (supplied by others)

**OPTION**

- Integral battery backup (BB) offers over 900 lumens and 90 minutes of runtime for path of egress. Rated for ambient temperatures between 0°C to 40°C (32°F to 104°F). Battery backup option available on the SCP-S-20-P-VS-4K-WH only.

**TESTING & COMPLIANCE**

- cETLus Listed to UL1598 for Wet Locations for covered canopy applications
- DesignLights Consortium® (DLC) PREMIUM Qualified
- Operating temperatures: -40°C to 40°C (-40°F to 104°F)

**WARRANTY**

- Five year warranty (terms and conditions apply)

**ORDERING INFORMATION**

Example: SCP-S-20-P-VS-4K-WH-BB

Series	Wattage	Optics	Input Voltage	CCT	Finish	Options
SCP-S	20 = 20 Watts	G <sup>1</sup> = Garage	VS = 120-277V	4K = 4000K	WH = White	BB <sup>3</sup> = Battery Backup
	36 = 36 Watts	LG = Low Glare		5K <sup>1</sup> = 5000K	CC <sup>2</sup> = Custom Color	
	50 <sup>1</sup> = 50 Watts	P = Performance				
	67 <sup>1</sup> = 67 Watts					

**Notes**

<sup>1</sup> Non-stocked item, longer lead times apply, consult factory for details

<sup>2</sup> Consult factory for details

<sup>3</sup> 120V and 277V operation, 0-10V dimming not available, not ETL Listed, available on SCP-S-20-P-VS-4K-WH model only

Model: \_\_\_\_\_ Date: \_\_\_\_\_  
 Accessories: \_\_\_\_\_  
 Job Name: \_\_\_\_\_ Type: \_\_\_\_\_



Specs At A Glance*				
Wattage (W)	20	36	50	67
Lumens (lm)	2670	4815	6586	8940
Efficacy (LPW)	130	133	131	133
Equivalency (HID)	70W	100W	150W	250W
Distribution	Garage (G) - Type VS Square Short Low Glare (LG) - Type VS Square Short Performance (P) - Type VS Square Very Short			
CCT	4000K, 5000K			
CRI	≥71			
Input Voltage	120-277VAC, 50/60Hz, 0-10V Dimmable			
Operating Temp	-40°C to 40°C (-40°F to 104°F)			
Certifications	cETLus Listed, Wet Locations Covered Canopy, DLC PREMIUM			
Warranty	5 Years			
Weight	7.0 lbs			

\*Nominal Wattage (4000K CCT)

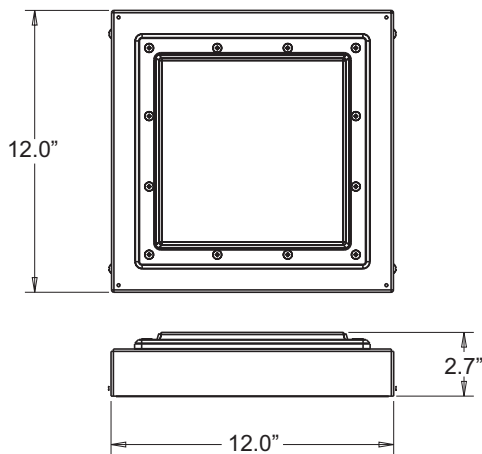
Note: Environment and application will affect actual performance. Typical values and 25°C used for testing. Specifications subject to change without notice.

**PERFORMANCE DATA**

MODEL	STOCK/MTO*	WATTAGE (W)	CCT	LUMENS	EFFICACY	CRI
SCP-S-20-LG-VS-4K	STOCK	20	4000K	2352	115	72
SCP-S-20-G-VS-4K	MTO	20	4000K	2543	124	72
SCP-S-20-P-VS-4K	STOCK	20	4000K	2670	130	72
SCP-S-20-LG-VS-5K	MTO	20	5000K	2350	114	73
SCP-S-20-G-VS-5K	MTO	20	5000K	2533	123	72
SCP-S-20-P-VS-5K	MTO	20	5000K	2670	129	72
SCP-S-36-LG-VS-4K	STOCK	36	4000K	4227	117	72
SCP-S-36-G-VS-4K	MTO	36	4000K	4582	126	72
SCP-S-36-P-VS-4K	STOCK	36	4000K	4815	133	72
SCP-S-36-LG-VS-5K	MTO	36	5000K	4282	118	73
SCP-S-36-G-VS-5K	MTO	36	5000K	4601	126	73
SCP-S-36-P-VS-5K	MTO	36	5000K	4839	133	73
SCP-S-50-LG-VS-4K	MTO	50	4000K	5702	114	72
SCP-S-50-G-VS-4K	MTO	50	4000K	6306	125	72
SCP-S-50-P-VS-4K	MTO	50	4000K	6586	131	72
SCP-S-50-LG-VS-5K	MTO	50	5000K	5590	112	72
SCP-S-50-G-VS-5K	MTO	50	5000K	6168	123	72
SCP-S-50-P-VS-5K	MTO	50	5000K	6472	130	72
SCP-S-67-LG-VS-4K	MTO	67	4000K	7829	117	72
SCP-S-67-G-VS-4K	MTO	67	4000K	8466	126	72
SCP-S-67-P-VS-4K	MTO	67	4000K	8940	133	72
SCP-S-67-LG-VS-5K	MTO	67	5000K	7887	118	72
SCP-S-67-G-VS-5K	MTO	67	5000K	8589	128	71
SCP-S-67-P-VS-5K	MTO	67	5000K	9016	134	72

\*MTO = Made to order (subject to change, consult factory for lead times)

**DIMENSIONS**



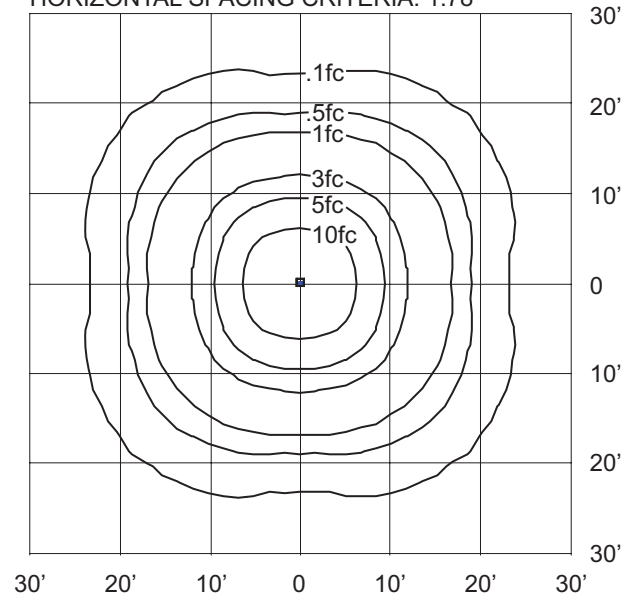
**SAMPLE PHOTOMETRICS**

**SCP-S-36-P-VS-4K**

IES: Type VS Square Very Short

MOUNTING HEIGHT: 10'

HORIZONTAL SPACING CRITERIA: 1.78



Specifications are subject to change without notice.  
Installation must be performed in accordance with  
Barron Lighting Group installation instructions.

10810374 Rev 2 10/18

**DESCRIPTION**

The SCP-R recessed canopy is a low-profile 16" square canopy with a variety of precision engineered optics for application flexibility. This canopy optimizes optical performance and long-life with superior thermal management in an attractive and durable die-formed aluminum enclosure with premium PMMA optical lenses that do not yellow over time. This product can be easily recess mounted to ceilings or overhead canopies with only 1.2" thickness below the ceiling plane. The SCP-R is the ideal energy-saving solution for applications including, but not limited to, parking garages, schools, office complexes, light commercial development, apartments, walkways, entryways and stairwells.

**CONSTRUCTION**

- Precision die-formed aluminum enclosure with stainless steel hardware
- White powder coat finish, custom colors available upon request
- IP65 rated light engine compartment

**OPTICS/LEDS**

- UV-stabilized polymethyl methacrylate (PMMA) optics that will not yellow over time
- Garage optics provides a type V short symmetric square distribution with light focused in the 60° to 80° zones to optimize spacing with even light distribution
- Performance optic provides a type VS (square) very short distribution and offers more light in the 30° to 60° zones, ideal for higher mounting heights over 12'
- Low glare optic provides excellent Type VS (square) short distribution with exceptional glare control
- From 20W to 67W with up to 9016 lumens for maximum project flexibility
- Efficacies up to 134 LPW maximize energy savings and utility rebates
- 4000K CCT and 5000K CCT
- L70 of 190,000 hours
- CRI ≥71

**ELECTRICAL**

- 120-277VAC, 50/60Hz
- 0-10V Dimming driver

**INSTALLATION**

- Fixture attaches to canopy surface and can cover up to 15" holes
- A safety cable and a wireway cover are provided for ease of wiring

**TESTING & COMPLIANCE**

- cETLus Listed to UL1598 for Wet Locations for covered canopy applications
- DesignLights Consortium® (DLC) PREMIUM Qualified
- Operating temperatures: -40°C to 40°C (-40°F to 104°F)

**WARRANTY**

- Five year warranty (terms and conditions apply)

Model: \_\_\_\_\_ Date: \_\_\_\_\_  
Accessories: \_\_\_\_\_  
Job Name: \_\_\_\_\_ Type: \_\_\_\_\_



Specs At A Glance*				
Wattage (W)	20	36	50	67
Lumens (lm)	2670	4815	6586	8940
Efficacy (LPW)	130	133	131	133
Equivalency (HID)	70W	100W	150W	250W
Distribution	Garage (G) - Type VS Square Short Low Glare (LG) - Type VS Square Short Performance (P) - Type VS Square Very Short			
CCT	4000K, 5000K			
CRI	≥71			
Input Voltage	120-277VAC, 50/60Hz, 0-10V Dimmable			
Operating Temp	-40°C to 40°C (-40°F to 104°F)			
Certifications	cETLus Listed, Wet Locations Covered Canopy, DLC PREMIUM			
Warranty	5 Years			
Weight	7.0 lbs			

\*Nominal Wattage (4000K CCT)

Note: Environment and application will affect actual performance. Typical values and 25°C used for testing. Specifications subject to change without notice.

**ORDERING INFORMATION**

Example: SCP-R-20-P-VS-4K-WH

Series	Wattage	Optics	Input Voltage	CCT	Finish
SCP-R	20 = 20 Watts	G <sup>1</sup> = Garage	VS = 120-277V	4K = 4000K	WH = White
	36 = 36 Watts	LG = Low Glare		5K <sup>1</sup> = 5000K	CC <sup>2</sup> = Custom Color
	50 <sup>1</sup> = 50 Watts	P = Performance			
	67 <sup>1</sup> = 67 Watts				

**Notes**

<sup>1</sup> Non-stocked item, longer lead times apply, consult factory for details

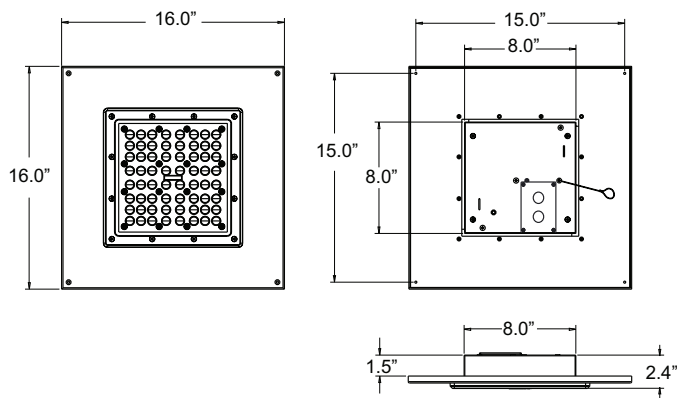
<sup>2</sup> Consult factory for details

**PERFORMANCE DATA**

MODEL	STOCK/MTO*	WATTAGE (W)	CCT	LUMENS	EFFICACY	CRI
SCP-R-20-LG-VS-4K	STOCK	20	4000K	2352	115	72
SCP-R-20-G-VS-4K	MTO	20	4000K	2543	124	72
SCP-R-20-P-VS-4K	STOCK	20	4000K	2670	130	72
SCP-R-20-LG-VS-5K	MTO	20	5000K	2350	114	73
SCP-R-20-G-VS-5K	MTO	20	5000K	2533	123	72
SCP-R-20-P-VS-5K	MTO	20	5000K	2670	129	72
SCP-R-36-LG-VS-4K	STOCK	36	4000K	4227	117	72
SCP-R-36-G-VS-4K	MTO	36	4000K	4582	126	72
SCP-R-36-P-VS-4K	STOCK	36	4000K	4815	133	72
SCP-R-36-LG-VS-5K	MTO	36	5000K	4282	118	73
SCP-R-36-G-VS-5K	MTO	36	5000K	4601	126	73
SCP-R-36-P-VS-5K	MTO	36	5000K	4839	133	73
SCP-R-50-LG-VS-4K	MTO	50	4000K	5702	114	72
SCP-R-50-G-VS-4K	MTO	50	4000K	6306	125	72
SCP-R-50-P-VS-4K	MTO	50	4000K	6586	131	72
SCP-R-50-LG-VS-5K	MTO	50	5000K	5590	112	72
SCP-R-50-G-VS-5K	MTO	50	5000K	6168	123	72
SCP-R-50-P-VS-5K	MTO	50	5000K	6472	130	72
SCP-R-67-LG-VS-4K	MTO	67	4000K	7829	117	72
SCP-R-67-G-VS-4K	MTO	67	4000K	8466	126	72
SCP-R-67-P-VS-4K	MTO	67	4000K	8940	133	72
SCP-R-67-LG-VS-5K	MTO	67	5000K	7887	118	72
SCP-R-67-G-VS-5K	MTO	67	5000K	8589	128	71
SCP-R-67-P-VS-5K	MTO	67	5000K	9016	134	72

\*MTO = Made to order (subject to change, consult factory for lead times)

**DIMENSIONS**



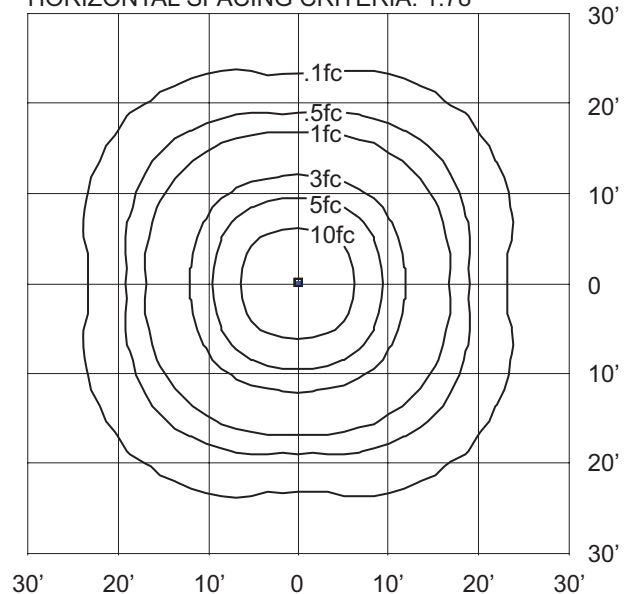
**SAMPLE PHOTOMETRICS**

**SCP-R-36-P-VS-4K**

IES: Type VS Square Very Short

MOUNTING HEIGHT: 10'

HORIZONTAL SPACING CRITERIA: 1.78



Specifications are subject to change without notice.  
Installation must be performed in accordance with  
Barron Lighting Group installation instructions.

10810375 Rev 2 10/18