

The MLED Series is a multi-voltage, high performance, high-impact thermoplastic adjustable LED lamp head designed to increase center-to-center spacing. Suitable for indoor and outdoor applications.

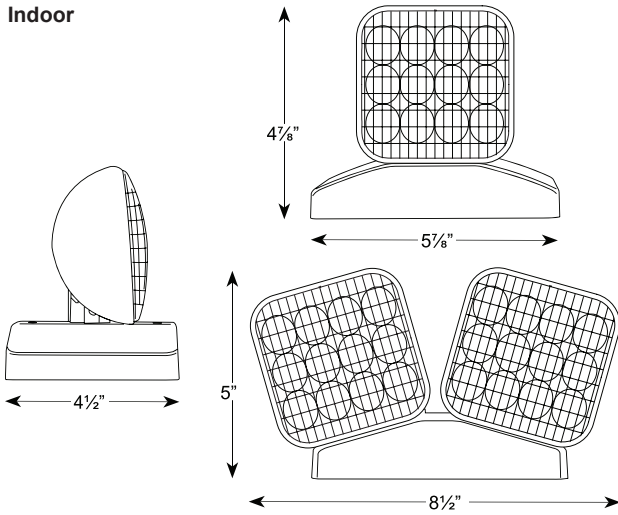
**FEATURES**

- Compatible with CLED, VLED, LED-RX, VEX-RC, VEX-WPC or LED-90 exits only
- Each 1.5W lamp head contains twelve long lasting, efficient, ultra-bright white LEDs in a high performance reflector with glass lens (outdoor) or plastic lens (indoor)
- Rugged, injection-molded 5VA flame retardant, high-temperature thermoplastic housing
- Adjustable LED lamp heads optimize spacing
- Low cost - easy installation
- Temperature rating of -20 to 50° C (-4 to 122° F)
- Single and double head configurations available
- Suitable for ceiling or wall mount
- Optional wet location rating (WP) available for outdoor applications
- Standard finishes: Black or White for indoor, Black or Gray for outdoor
- All options include mounting plate

**WARRANTY**

Any component that fails due to manufacturers defect is guaranteed for 5 years. The warranty does not cover physical damage, abuse or instances of uncontrollable natural forces. See the full Exitronix warranty document for detailed information.

**Indoor**



Model: \_\_\_\_\_ Date: \_\_\_\_\_  
 Accessories: \_\_\_\_\_  
 Job Name: \_\_\_\_\_ Type: \_\_\_\_\_



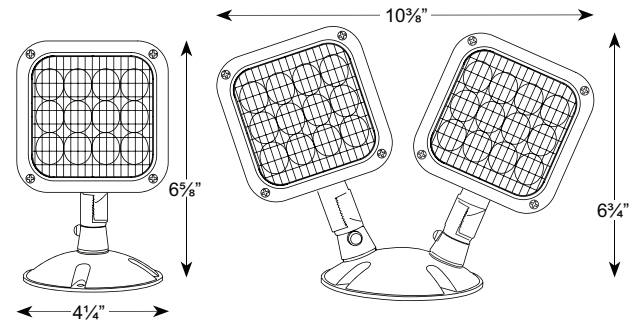
MLED1-G-WP



MLED2-W



**Outdoor (WP Option)**



**ORDERING INFORMATION Example: MLED1-B-G2-WP**

Series <sup>3</sup>	Finish	Options
MLED1 = Single Remote Lamp	B <sup>2</sup> = Black	G2 <sup>1</sup> = Self-Test/Self-Diagnostics Compatible
MLED2 = Double Remote Lamp	G <sup>2</sup> = Gray	WP <sup>2</sup> = Weatherproof Applications
	W = White	

**Notes**

- <sup>1</sup> Unit powering remote lamp head must also have G2 option  
<sup>2</sup> WP option available in Black or Gray finish only  
<sup>3</sup> MLED series only compatible with CLED, VLEC, LED-RX, VEX-RC, VEX-WPC and LED-90 exits