

The VEX-WPC Series is engineered to perform in the most extreme environments. A fully gasketed polycarbonate lens and 5VA housing enable the VEX-WPC to be installed in locations that require wet location rated protection.

Model: _____ Date: _____
 Accessories: _____
 Job Name: _____ Type: _____

FEATURES

- Ideal for wet location applications in extreme conditions
- UV stabilized, impact and corrosion resistant 5VA plastic enclosure with one-piece, molded, weather-proof gasket
- Impact-resistant, polycarbonate shield offers extreme protection
- Universal Mounting - Ceiling, wall or end mount
- Up to 45ft spacing for path of egress
- Adjustable LED lamp heads feature 3.6W (3 LED's x 1.2w) per head
- Remote capable (6 volt) - up to 7.2 watts
- Low voltage disconnect eliminates deep discharge (G2 only)
- Brownout (G2 only)
- Short circuit protection
- Maintenance-free NiCad battery - rated 32°F to 122°F (0°C to 50°C)
- UL Listed 90 minute emergency run time, 24 hour recharge time
- Constant, uniform illumination by long-life, high intensity, red or green LEDs
- Fully-illuminated 6" characters with 3/4" stroke
- Optional Guardian Self-Test/Self-Diagnostics (G2) available
- Optional internal battery heater (IH) allows operation in temperatures as low as -4°F to 122°F (-20°C to 50°C)
- Standard finishes: Gray, Black or White
- Field selectable directional chevrons included for all configurations
- 120/277V dual primary, 60Hz input



WARRANTY

Any component that fails due to manufacturers defect is guaranteed for 5 years with a separate 5 year pro-rated warranty on the battery. The warranty does not cover physical damage, abuse or instances of uncontrollable natural forces. See the full Exitronix warranty document for detailed information.

ORDERING INFORMATION Example: VEX-WPC-1-R-W-G2

Series	# of Faces	LED Color	Finish	Options (Factory Installed)
VEX-WPC	1 = Single Face	R = Red	W = White w/White Face	G2 = Self-Test/Self-Diagnostics
	2 = Double Face	G = Green	B = Black w/Black Face	IH = Internal Battery Heater
			G = Gray w/White Face	R ¹ = Remote Capable
				TRH = Tamper Resistant Hardware
Notes				Accessories² (Field Installed)
¹ 6V up to 7.2W				WG-5 = Wire Guard, Back Mount
² Order as separate line item				XG-6 = Poly Guard, Back Mount
				RL1-WP = Single Remote Lamp With Mounting Plate
				2RL1-WP = Double Remote Lamp With Mounting Plate

CONSTRUCTION

The VEX-WPC consists of a precision-molded housing constructed of 5VA flame retardant, impact resistant, corrosion proof, UV stable polycarbonate plastic with one-piece, molded, weatherproof gasket. Units resist denting, peeling and scratching.

ILLUMINATION

Illumination of the exit face is achieved with ultra bright, energy efficient, long-lasting red or green LEDs provide reliable, uniform illumination.

Adjustable LED lamp heads feature 3.6W (3 LED's x 1.2w) per head and provide optimal center-to-center spacing.

ELECTRICAL

Input

Dual-voltage input 120 or 277VAC @ 60Hz

Nickel Cadmium Battery - NiCad

Exitronix NiCad batteries are maintenance-free with a life expectancy of 15 years. NiCad batteries offer high discharge rates and continue to perform in a vast temperature range from 32°F to 122°F (0°C to 50°C).

Brownout Circuit (G2 only)

Brownout circuit monitors the line voltage, as the line voltage sags and can no longer illuminate the exit sign to meet UL 924 visibility test, the emergency circuit will turn on to supply a portion or all the power to illuminate the sign for a minimum of 90mins until the line voltage is restored.

Low Voltage Disconnect (G2 only)

When the battery's terminal voltage falls below predetermined levels, the low-voltage circuit disconnects the emergency lighting load. The disconnect remains in effect until normal power is restored, preventing deep battery discharge and improving the life of the battery. The disconnect will also automatically reconnect the load circuit once the battery voltage returns to a normal value after charging.

Solid-State Transfer

The circuit features solid-state switching for emergency lamps, eliminating concerns of damaged contact or mechanical failures associated with relays. The switching circuit detects a loss of line voltage and automatically switches to emergency mode.

Manual Test Magnet

The VEX-WPC provides manual testing by utilizing a magnet against the unit in a specific pattern. Patterns are as follow:

- To initiate a 30 second test, touch and pull away magnet once within two (2) seconds; FLASHING Green
- To initiate a 30 minute test, touch and pull away magnet twice within two (2) seconds; BLINKING Green "2" times
- To initiate a 90 minute test, touch and pull away magnet three times within two (2) seconds; BLINKING Green "3" times
- Interruption, touch and hold magnet for 3-5 seconds
- System reset, touch and hold magnet for more than six (6) seconds

INSTALLATION

The VEX-WPC Series is supplied with a die-cast aluminum mounting plate which allows for top and end mount. Universal knockout on back plate allows for wall mount. Suitable for indoor, outdoor, damp, or wet location applications.

Guardian Self-Test/Self-Diagnostics (Option: G2)

The Guardian function is factory preset without any field adjustments. The Guardian Self-Test feature performs the following test:

- On-line real time monitoring of battery and LED(s): Which identifies battery charging, disconnections, and failure of LED(s).
- Self-testing and a 30 second discharge once every 30 days. After AC power has been supplied for 24 hours.
- Self-testing and a 30 minute discharge once every 180 days, after AC power has been supplied for 24 hours.
- Self-testing and a 90 minute discharge once every 365 days, after AC power has been supplied for 24 hours.

Remote Capable - (Option: R)

For the VEX-WPC Series, the "R" option provides the unit with an additional 7.2 watts of remote power for use with RL1-WP Series remote lamps (ordered separately).

Internal Heater - (Option: IH)

The internal heater option on this fixture is designed to extend the operating temperature range of this unit down to -4°F to 122°F (-20°C to 50°C).

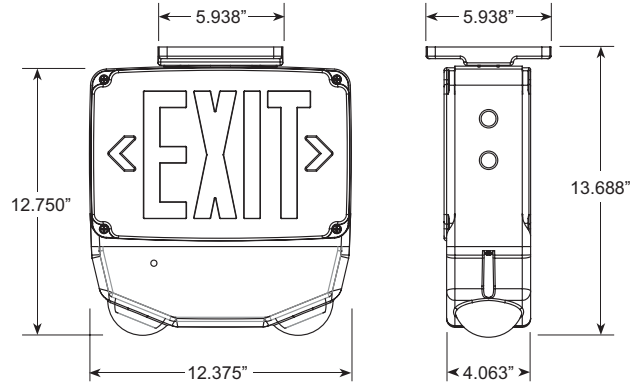
Tamper Resistant Hardware - (Option: TRH)

Tamper resistant hardware adds an additional layer of protection to the unit, preventing unwanted access to the interior of the unit or removal of the face plates.

CONFORMANCE TO CODES & STANDARDS

The VEX-WPC Series is UL Listed and meets or exceeds the following: UL 924, NEC requirements and NFPA 101.

DIMENSIONS



REMOTE LAMPS (Order Separately)

FEATURES

- Each lamp contains 15 long lasting, efficient ultra-bright white LEDs totalling 1 watt per head



RL1-WP



2RL1-WP

REMOTE ORDERING INFORMATION

Example: RL1-WP

Series

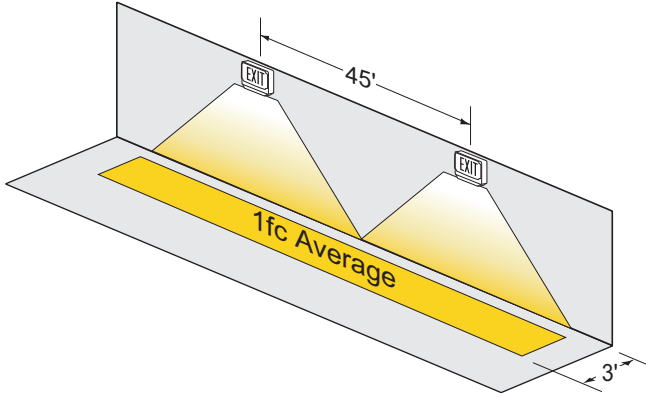
RL1-WP = Single Remote Lamp With Mounting Plate

2RL1-WP = Double Remote Lamp With Mounting Plate

Order remote lamps as separate line item

SAMPLE PHOTOMETRICS

Using multiple units mounted at a typical 7.5' delivers 45' center-to-center spacing on a 3' wide egress path.



Using multiple units mounted at a typical 7.5' delivers 40' center-to-center spacing on a 6' wide egress path.

