

The **Exitronix** XET-3 Emergency Lighting Control Device allows local switch control of designated emergency luminaires when emergency power is provided by a generator or inverter. The XET-3 senses the loss of normal AC power and bypasses the local switch device allowing emergency power directly to the fixture regardless of switch position. The XET-3 is rated for any lamp load up to 3 Amps continuous power including LED loads per NEMA 410 standards. The XET-3 is an ideal solution for achieving increased energy savings in accordance with most energy efficiency standards by eliminating the need to operate the designated emergency fixtures 24/7 when emergency power is sourced from a generator or inverter. Dimming ballasts require one XET-3 for each hot lead.

Model: _____ Date: _____
Accessories: _____
Job Name: _____ Type: _____



TECHNICAL SPECIFICATIONS

Input Voltage: 120/277VAC, 60Hz
 Input Current: 250mA
 Maximum Switching Voltage: 3 Amps @ 120/277VAC
 Circuit Protection: 3A on Control Input
 3A on Neutral and 120/277VAC Outputs
 In-rush Current Rating: 144A for .89ms @ 120VAC
 258A for .98ms @ 277VAC
 Emergency Operation: The XET-3 allows operation of any lamp type in the designated fixture for the duration of the auxiliary supply
 Initial Illumination: The XET-3 allows operation of the designated load at full light output
 Weight: 1.0 lbs
 Operating Temperatures: 0°C to 50°C (32°F to 122°F)



FEATURES

- Galvanized steel housing
- Optional 24" flex conduit available (XET-3-FC)
- Rated for LED loads up to 3 Amps continuous as per NEMA 410
- Dual Voltage 120/277VAC, 60Hz
- Rated for use in plenum and damp location applications

LOADS OPERATED

Allows full light output operation of any LED, fluorescent, or incandescent switched fixture from the generator or inverter supply up to 3 Amps continuous.

PRODUCT ADVANTAGES

- Regain local switch control of your designated emergency fixtures powered from a generator or inverter
- Promotes energy savings by eliminating the need for always-on fixtures
- Full light output

CONFORMANCE TO CODES & STANDARDS

- Meets or exceeds all NEC, IBC, and life safety code emergency lighting requirements
- UL 924 Listed for Damp Locations

WARRANTY

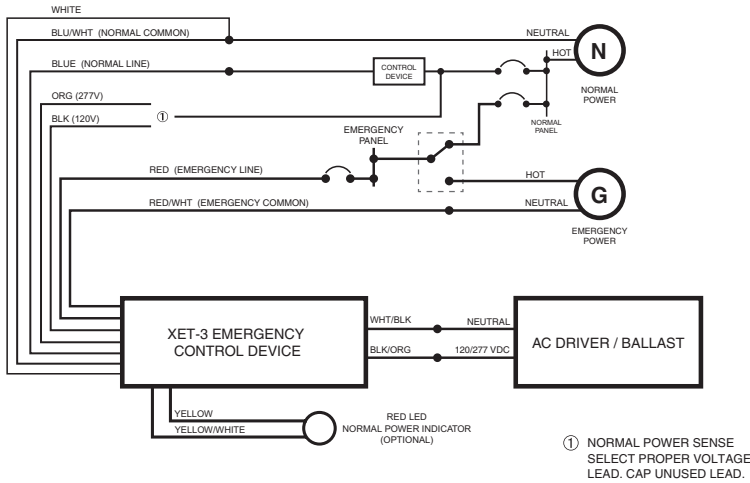
The Exitronix XET-3 is warranted for five years from date of shipment. The warranty does not cover physical damage, abuse or instances of uncontrollable natural forces. See the full Exitronix warranty document for detailed information.

Ordering Information

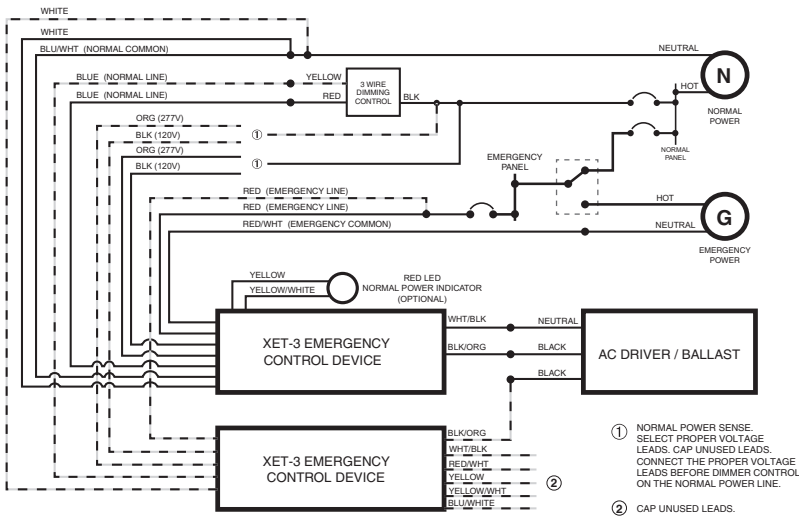
SKU	Description	UL Part Number
XET-3	Emergency transfer switch, 3 Amps switching current	ETS
XET-3-FC	Emergency transfer switch with 24" flex conduit, 3 Amps switching current	ETS-R

WIRING DIAGRAM

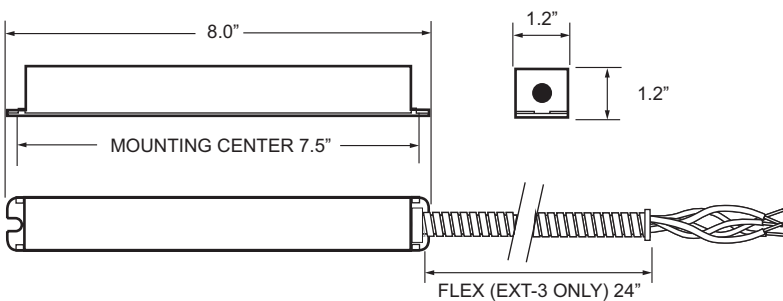
TYPICAL BALLAST/GENERATOR APPLICATION



TYPICAL DIMMING BALLAST/GENERATOR APPLICATION



DIMENSIONS



Specifications are subject to change without notice.
Installation must be performed in accordance with
Barron Lighting Group installation instructions.

10800308 REV-2 03/18