

NEW!

Universal Die-Cast Aluminum LED Combo 400C Series



Ultra Bright, High Intensity LEDs!

- Consumes less than 5W
- UL listed for damp locations
- Maintenance free NiCad battery
- Multi-directional LED lamp heads



400C SERIES

UNIVERSAL DIE-CAST ALUMINUM LED COMBO

The 400C Series is the newest universal LED die-cast aluminum exit/emergency combo unit available, combining an appealing design, the latest in die-cast technology, and high performance electronics to ensure reliability.

FEATURES

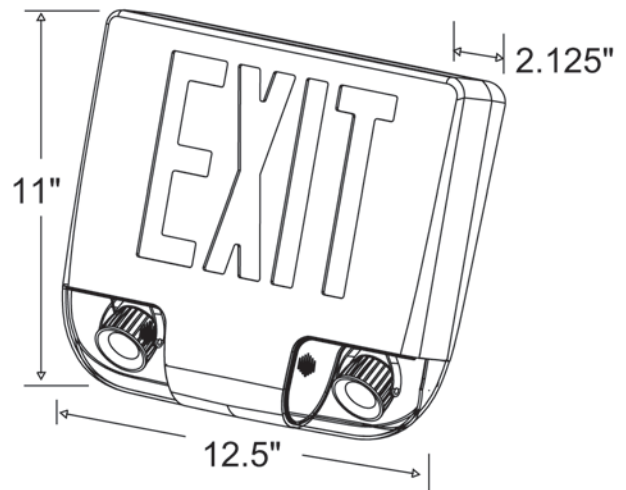
- One of the first LED die-cast combos on the market; unique new design provides spec-grade die-cast EXIT sign with LED emergency lights in low-profile housing
- Damp listed
- Premium-grade, die-cast aluminum housing, and face-plate
- Red or green high intensity LEDs
- Chevron style universal arrow knockouts
- 120/277V dual primary 60Hz input
- Short circuit and voltage surge protection
- Overcharge and Brown-out protected
- Low voltage disconnect eliminates deep discharge
- UL recognized maintenance-free nicad battery
- UL listed 90 minute emergency run time, 24 hour recharge time
- High Intensity 3W white LEDs
- 18-foot layout spacing

ENERGY EFFICIENT

Exit illuminated by high output red or green LEDs provides superior brightness and uniformity with a service life in excess of 25 years.



DIMENSIONS



ORDERING INFORMATION

Model

400C = Red LEDs

G400C = Green LEDs

Face

1 = Single Face

U = Universal Single/Double

Housing Finish Options

WW = White w/White Face

BA = Brushed Aluminum w/Brushed Aluminum Face

BL = Black w/Brushed Aluminum Face

BB = Black w/Black Face



1911 W. Parkside Lane Phoenix, AZ 85027
(623) 580-3948 (800) 533-3948 Fax: (623) 587-4899
www.barronlgt.com