

# *revolution*

## **LED Light Bar Combo Exit Sign**

- Unique, externally adjustable “Light Bar” emergency lighting with ultra-bright, energy efficient white LEDs
- Remote capacity and damp location rating included standard on all units
- Injection-molded, UL94 V-0 flame rated, high impact, thermoplastic housing
- Easy to install, snap together design
- Long life, maintenance-free NiCad battery

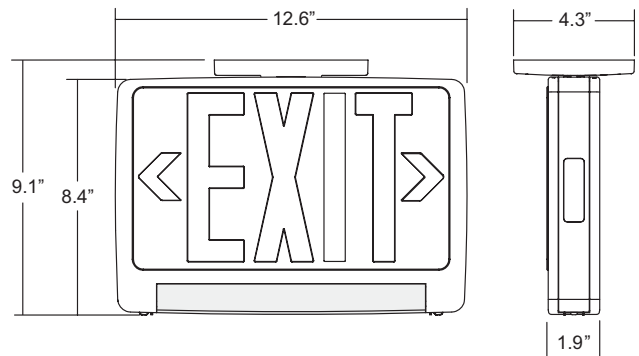


# revolution

Unique "Light Bar" design combines LED exit illumination with reliable, low-profile LED emergency lighting. The Revolution series offers maintenance-free, long life dependable service, and easily mounts above doors and in restricted spaces to fit any application.

## FEATURES

- Unique adjustable "Light Bar" emergency lighting with ultra-bright, energy efficient white LEDs
- Exit face is illuminated by long-Life, high intensity, red or green LEDs
- Remote capacity option included on all units
- Damp location rated
- Easy to install, snap together design
- Injection-molded, UL94 V-0 flame rated, high impact, thermoplastic housing
- Snap-in chevron type directional arrows
- Universal J-Box mounting pattern, canopy included
- 120/277 VAC dual input
- Short circuit, voltage surge, brown-out and low battery voltage disconnect protected
- Long life, maintenance-free NiCad battery
- 90 minute U.L. listed emergency run time

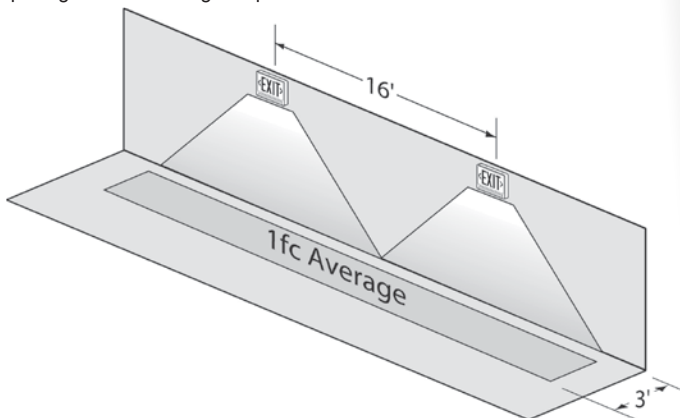


## ORDERING INFORMATION

CLED	U	WH	G2
<b>SERIES</b>	<b>STYLE</b>	<b>HOUSING FINISH</b>	<b>OPTIONS</b>
CLED = Red GCLED = Green	1 = Singleface U = Universal (Includes 2 face plates, backplate and canopy)	WH = White BL = Black	G2 = Self Test / Self Diagnostics

## SAMPLE PHOTOMETRICS

Using multiple units mounted at a typical 7.5' delivers 16' center-to-center spacing on a 3' wide egress path.



1911 W. Parkside Lane • Phoenix, AZ 85027  
(800) 533-3948 • Fax: (623) 580-8948  
[www.barronitg.com](http://www.barronitg.com)